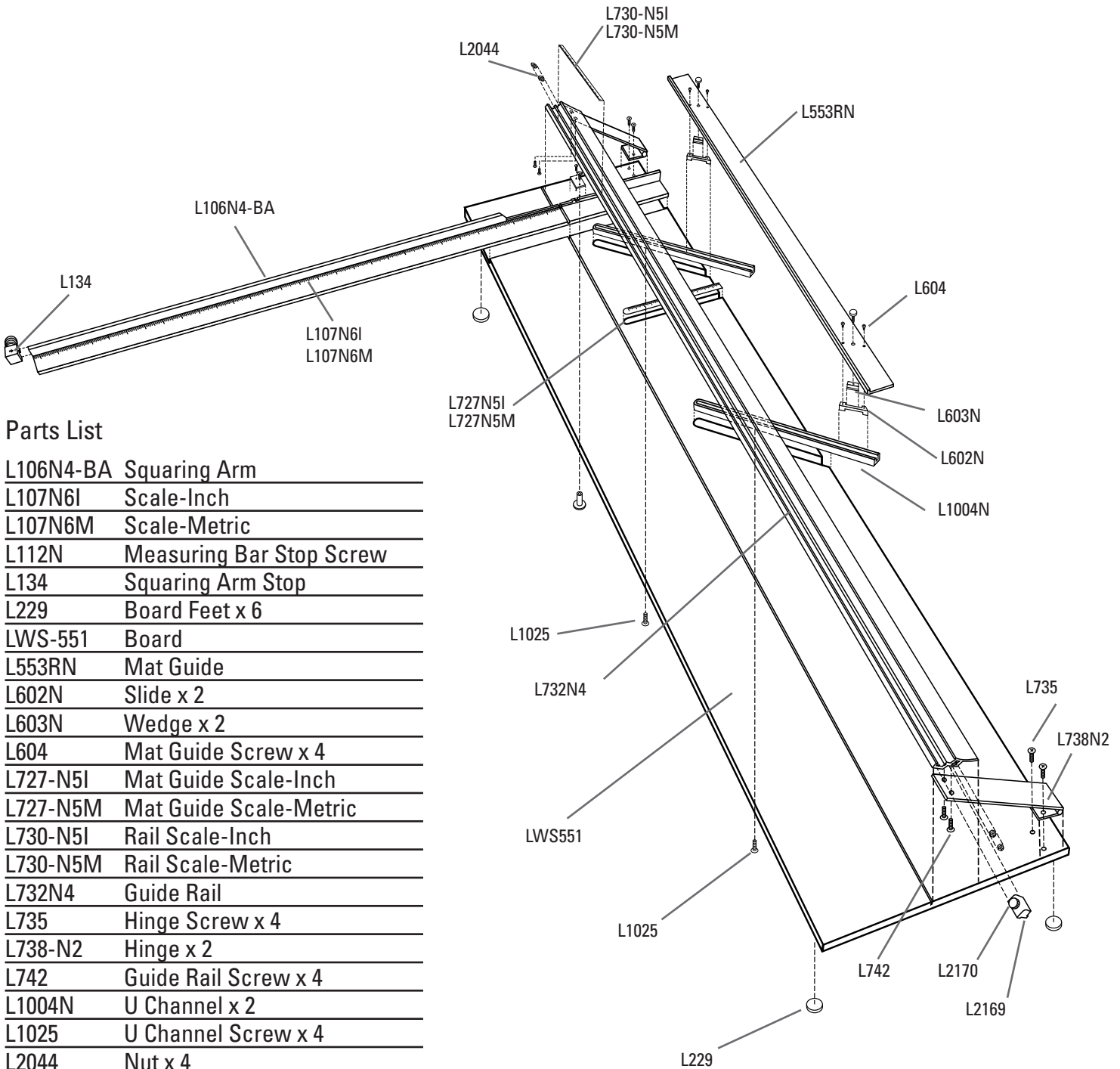


SIMPLEX CLASSIC MAT CUTTER

MODEL 550-1

PARTS DIAGRAM



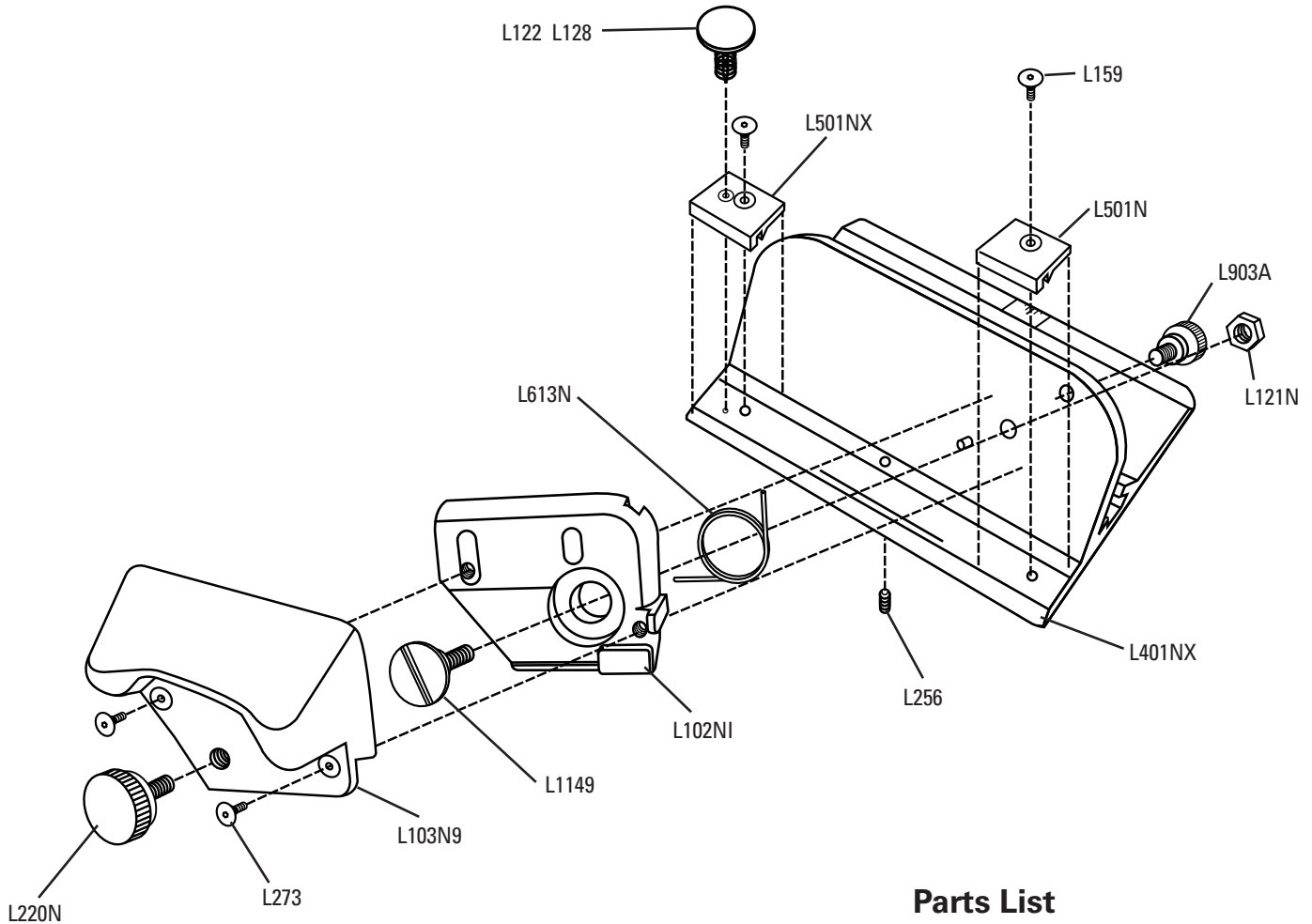
Parts List

L106N4-BA	Squaring Arm
L107N6I	Scale-Inch
L107N6M	Scale-Metric
L112N	Measuring Bar Stop Screw
L134	Squaring Arm Stop
L229	Board Feet x 6
LWS-551	Board
L553RN	Mat Guide
L602N	Slide x 2
L603N	Wedge x 2
L604	Mat Guide Screw x 4
L727-N5I	Mat Guide Scale-Inch
L727-N5M	Mat Guide Scale-Metric
L730-N5I	Rail Scale-Inch
L730-N5M	Rail Scale-Metric
L732N4	Guide Rail
L735	Hinge Screw x 4
L738-N2	Hinge x 2
L742	Guide Rail Screw x 4
L1004N	U Channel x 2
L1025	U Channel Screw x 4
L2044	Nut x 4
L2169	Rail Stop x 2
L2170	Rail Stop Knob x 2



BEVEL MAT CUTTER

MODEL 702-1



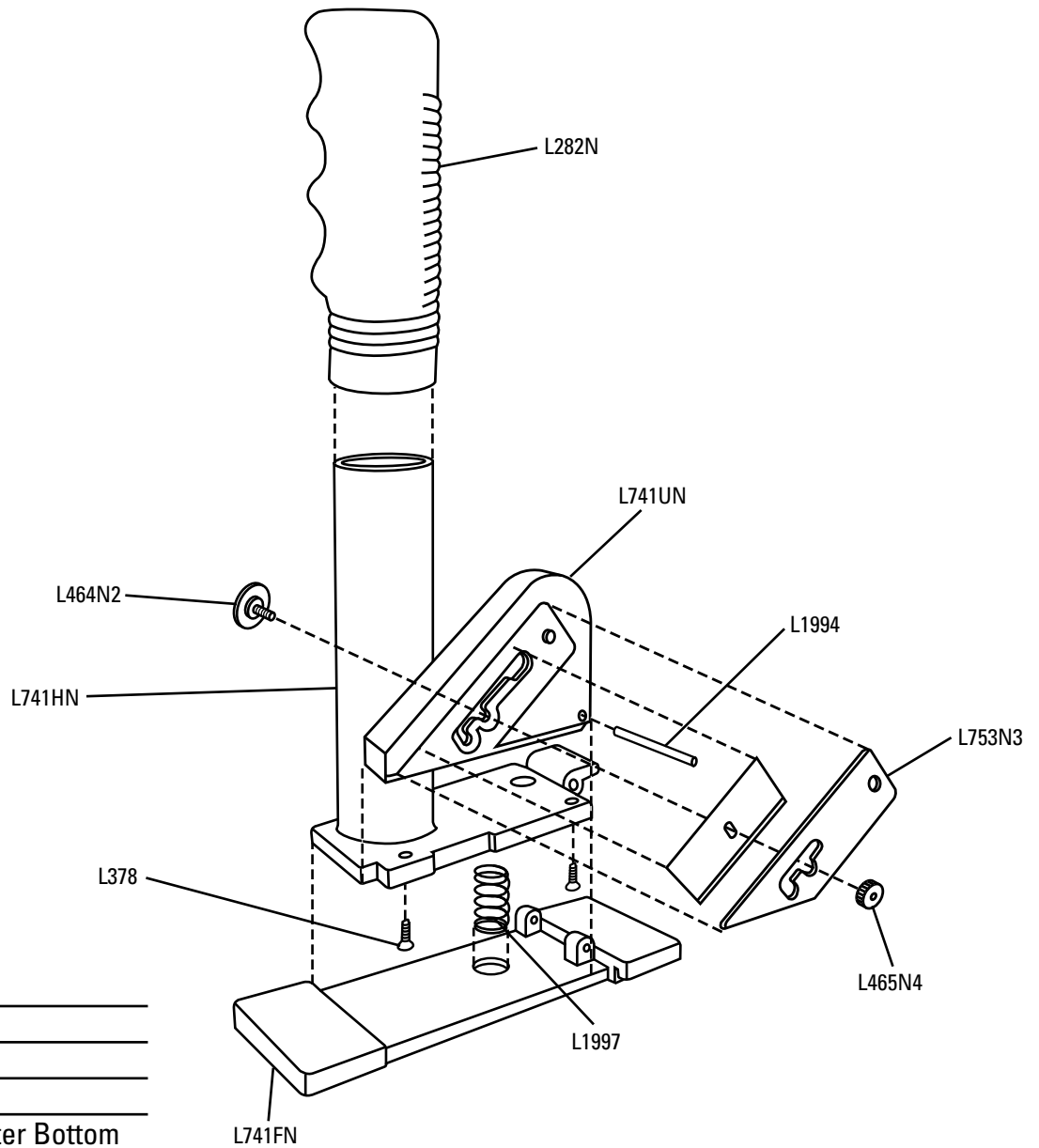
Parts List

L122	Anti-Crawl Spring
L613N	Spring
L220N	Blade Knob
L273	Screw X 2
L103N9	Blade Cover
L1149	Shoulder Bolt
L102NI	Blade Holder
L256	Depth Screw
L401NX	Cutting Head
L121N	Nut
L903A	Retainer Screw
L501N	Nylon Guide
L501NX	Nylon Guide
L159	Screw X 2

ARTIST ELITE STRAIGHT CUTTER

MODEL 701-1

PARTS DIAGRAM



Parts List

L282N	Handle Grip
L378	Screw x 2
L464N2	Bolt
L465N4	Nut
L741FN	Straight Cutter Bottom
L741HN	Straight Cutter Handle
L741UN	Straight Cutter Upright
L753N3	Cover Plate
L1994	Hinge Pin
L1997	Spring

